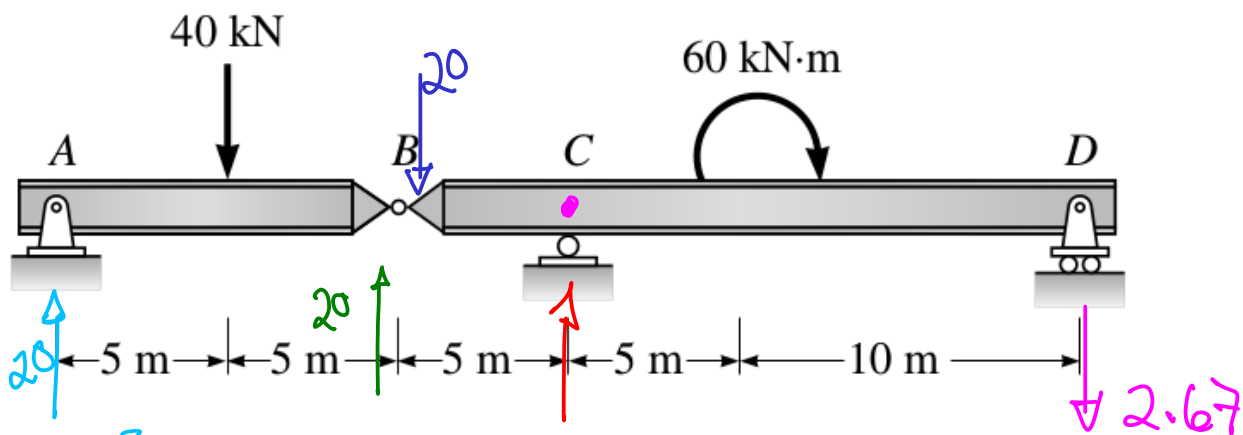


Segm. Der.

$$\sum M_D = 2 + 4(10) - C_y(6) = 0 \rightarrow C_y = 7 \uparrow$$

$$\sum F_y = -4 + 7 - D_y = 0 \therefore D_y = 3 \downarrow$$



Segmento izquierdo

$$\sum M_B = 40(5) - A_y(10) = 0 \quad \therefore A_y = 20 \text{ kN} \uparrow$$

Segmento derecho

$$\sum M_C = 20(5) - 60 - D_y(15) = 0 \quad \therefore D_y = 2.67 \downarrow$$

$$\sum F_y = -20 + C_y - 2.67 = 0 \quad \therefore C_y = 22.67 \uparrow$$